

HOM
COLLECTIVE
Noida Sec-8



**A COMPREHENSIVE SOLUTION FOR A
HIGH-QUALITY RAILING SYSTEM**

About Us

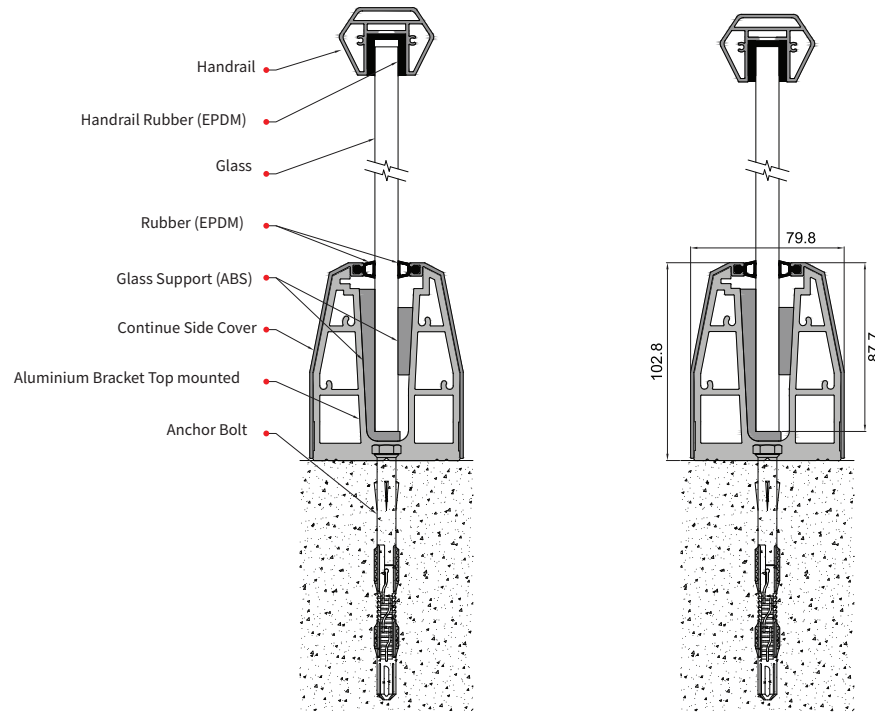
Established in 1980, our family business is a renowned name in glass manufacturing in Delhi, known for delivering quality and innovation for over four decades. I, Dilbagh Sidana and Nazuk sidana represent the second generation and have taken the reins to manage the business. Building on our legacy, we expanded our offerings last year with the launch of Hom Collective, a new line specializing in modular Aluminium and glass solutions for doors and windows. This addition reflects our commitment to modern design, functionality, and meeting the evolving needs of our clients.

By integrating advanced materials and techniques, we have diversified our portfolio, staying ahead in a competitive market while continuing to uphold the values and standards that have been the foundation of our success. As we look to the future, Hom Collective signifies a step forward, blending tradition with innovation in architectural and interior solutions.



HC 1001

Technical Details



Product Details

The HC-1001 is a top-mounted aluminum bracket system designed for securely holding glass with a continuous cover configuration. It is designed for durability and ease of maintenance.

Specifications

Glass thickness: Compatible with glass sizes between 12mm and 13.52mm.

Height Capacity: Supports glass heights of up to 1100mm from the floor.

Handrail Options: Offers a variety of handrail designs to suit different needs.

Finish: Available in RAL finishes, allowing for customizable aesthetics.

Available Finishes



Mill



PVDF



Anodize



Shot Blast



Powder Coating

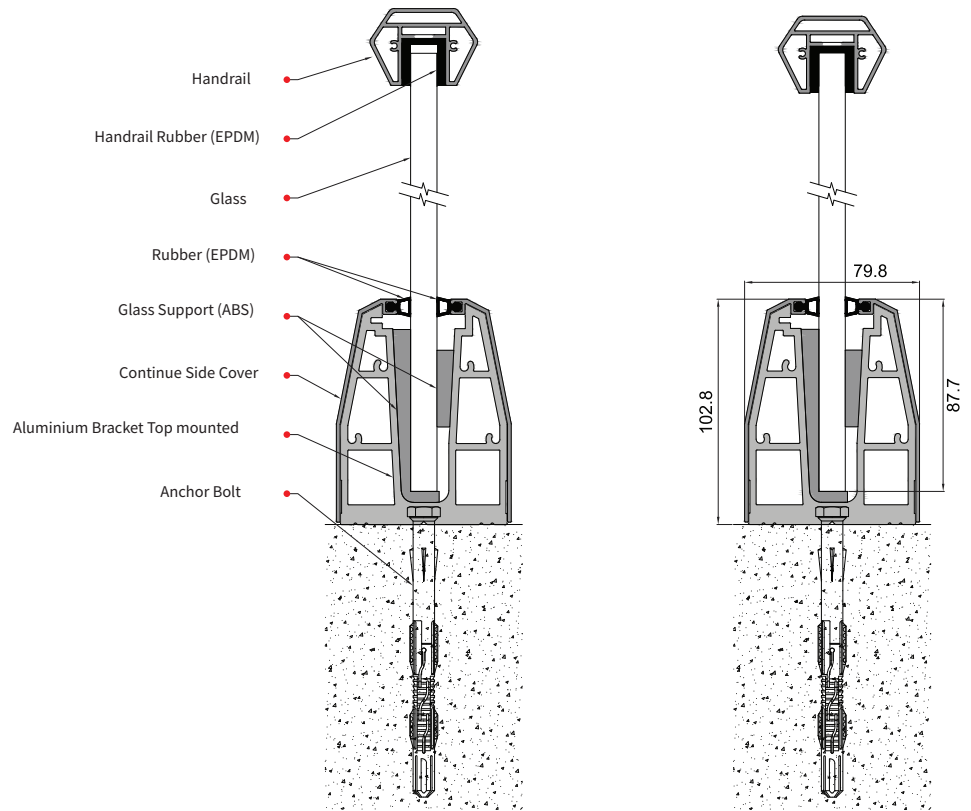


Wooden



HC 1001 B

Technical Details



Product Details

The HC-1001 B is a top-mounted aluminum bracket system designed for securely holding glass with a continuous cover configuration. It is designed for Tremendous style and look.

Specifications

Glass thickness: Compatible with glass sizes between 12mm and 13.52mm.

Height Capacity: Supports glass heights of up to 1100mm from the floor.

Handrail Options: Offers a variety of handrail designs to suit different needs.

Finish: Available in RAL finishes, allowing for customizable aesthetics.

Available Finishes



Mill



PVDF



Anodize



Shot Blast



Powder Coating

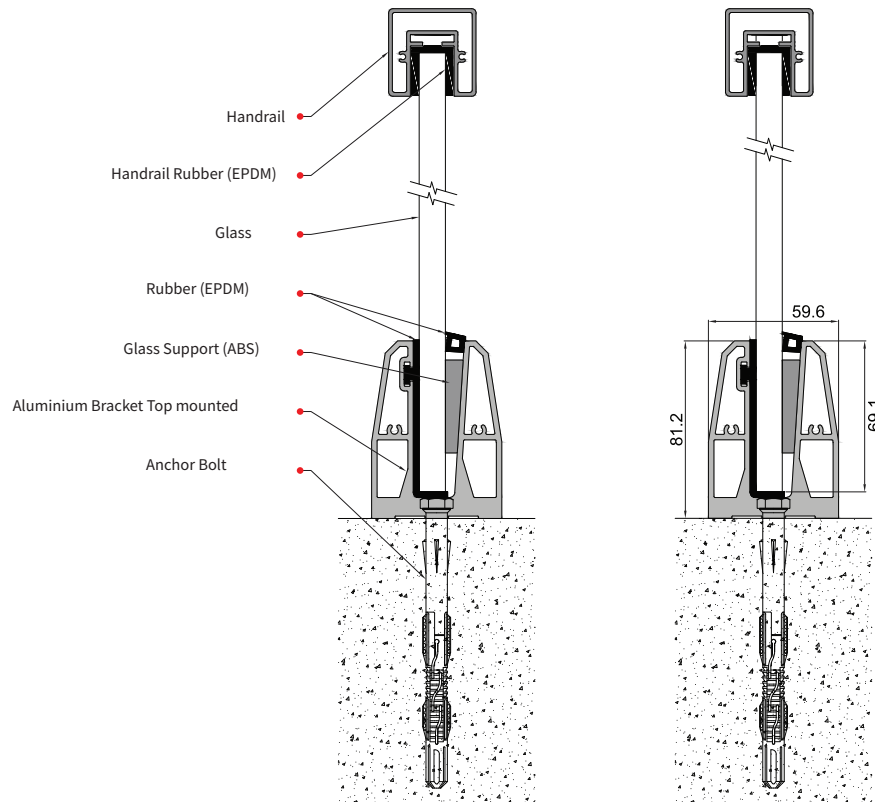


Wooden



HC 1002

Technical Details



Product Details

The HC-1002 is a top-mounted aluminum Continue Profile system designed for securely holding glass with a continuous cover configuration. It is designed high standard of infra structure work.

Specifications

Glass thickness: Glass sizes 12mm.

Height Capacity: Supports glass heights of up to 1000mm from the floor.

Handrail Options: Offers a variety of handrail designs to suit different needs.

Finish: Available in RAL finishes, allowing for customizable aesthetics.

Available Finishes



Mill



PVDF



Anodize



Shot Blast



Powder Coating

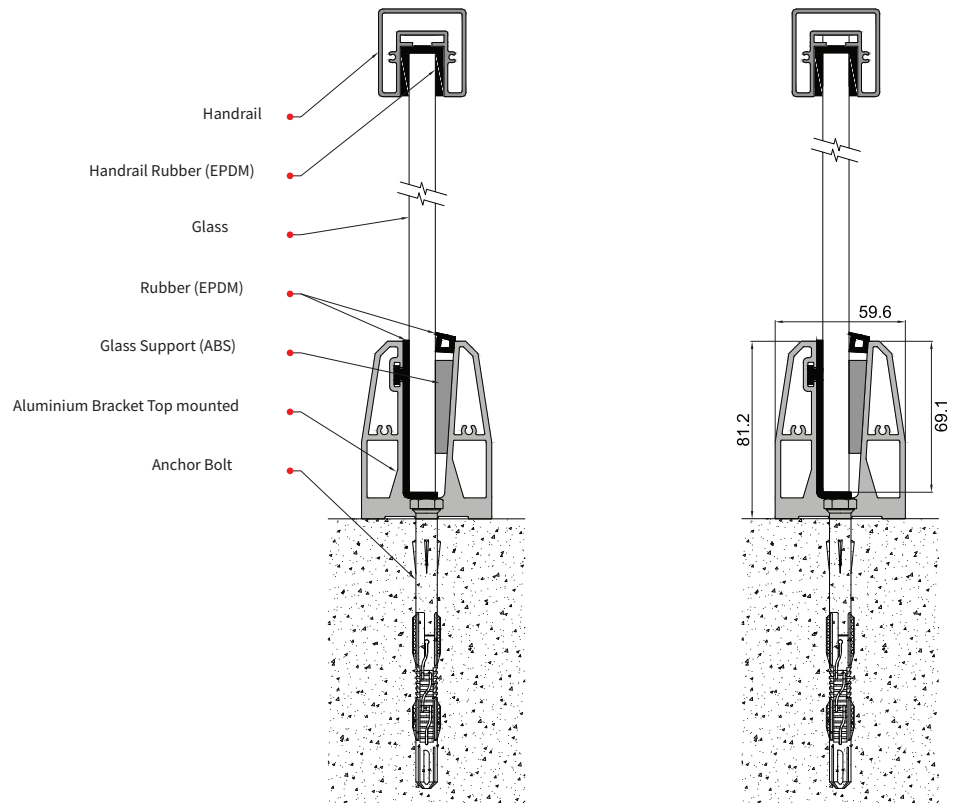


Wooden



HC 1002 B

Technical Details



Product Details

The HC-1002 B is a top-mounted aluminum bracket system designed for securely holding glass with a continuous cover configuration. It is designed high standard of infra structure work.

Specifications

Glass thickness: Glass sizes 12mm.

Height Capacity: Supports glass heights of up to 1000mm from the floor.

Handrail Options: Offers a variety of handrail designs to suit different needs.

Finish: Available in RAL finishes, allowing for customizable aesthetics.

Available Finishes



Mill



PVDF



Anodize



Shot Blast



Powder Coating

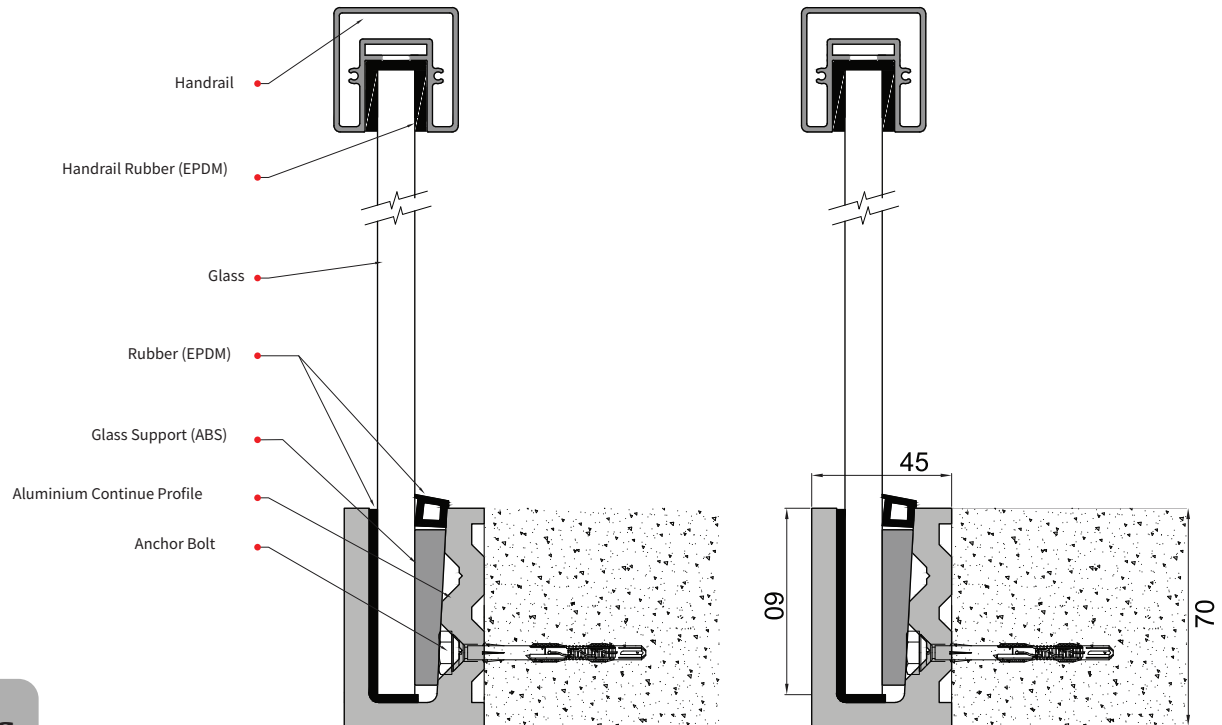


Wooden



HC 1004 S

Technical Details



Product Details

The HC-1004 S is a side-mounted aluminum Continue Profile system designed for securely holding glass with a continuous cover configuration. It is designed for marvelous look.

Specifications

Glass thickness: Glass size 12mm.

Height Capacity: Supports glass heights of up to 900mm from the floor.

Handrail Options: Offers a variety of handrail designs to suit different needs.

Finish: Available in RAL finishes, allowing for customizable aesthetics.

Available Finishes



Mill



PVDF



Anodize



Shot Blast



Powder Coating

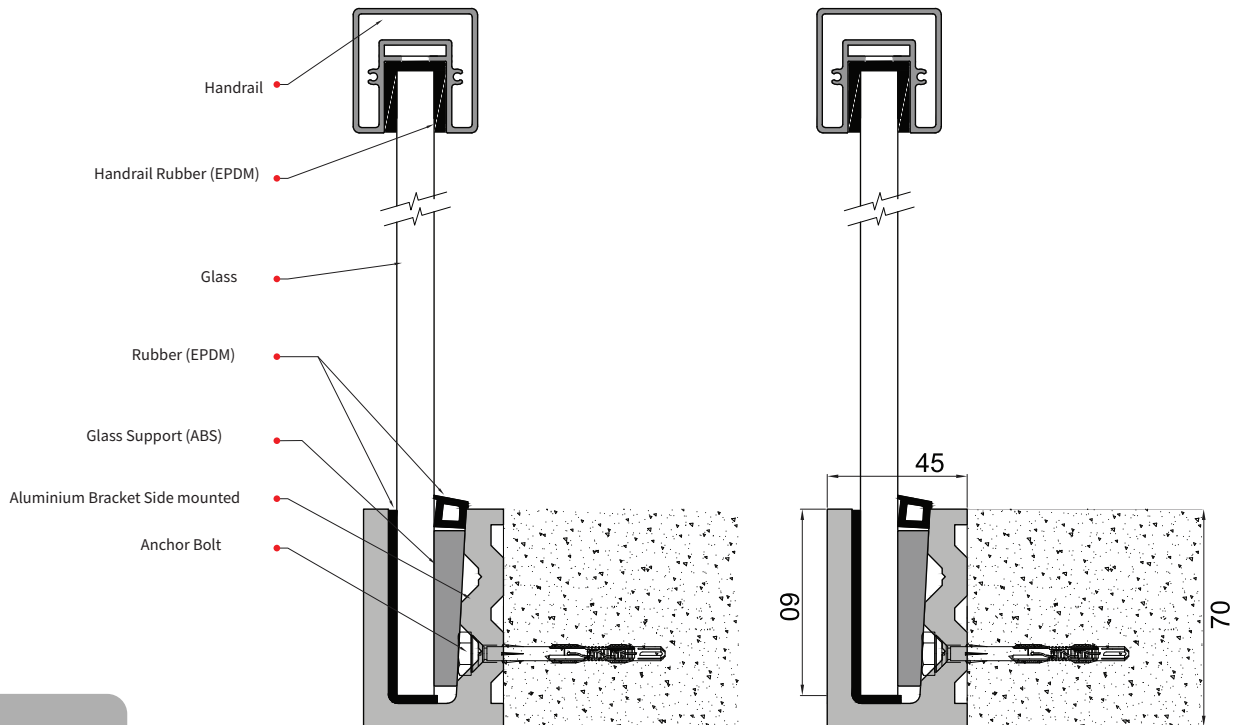


Wooden



HC 1004 S B

Technical Details



Product Details

The HC-1004 S B is a side-mounted aluminum bracket system designed for securely holding glass with a continuous cover configuration. It is designed for marvelous look.

Specifications

Glass thickness: Glass size 12mm.

Height Capacity: Supports glass heights of up to 900mm from the floor.

Handrail Options: Offers a variety of handrail designs to suit different needs.

Finish: Available in RAL finishes, allowing for customizable aesthetics.

Available Finishes



Mill



PVDF



Anodize



Shot Blast



Powder Coating

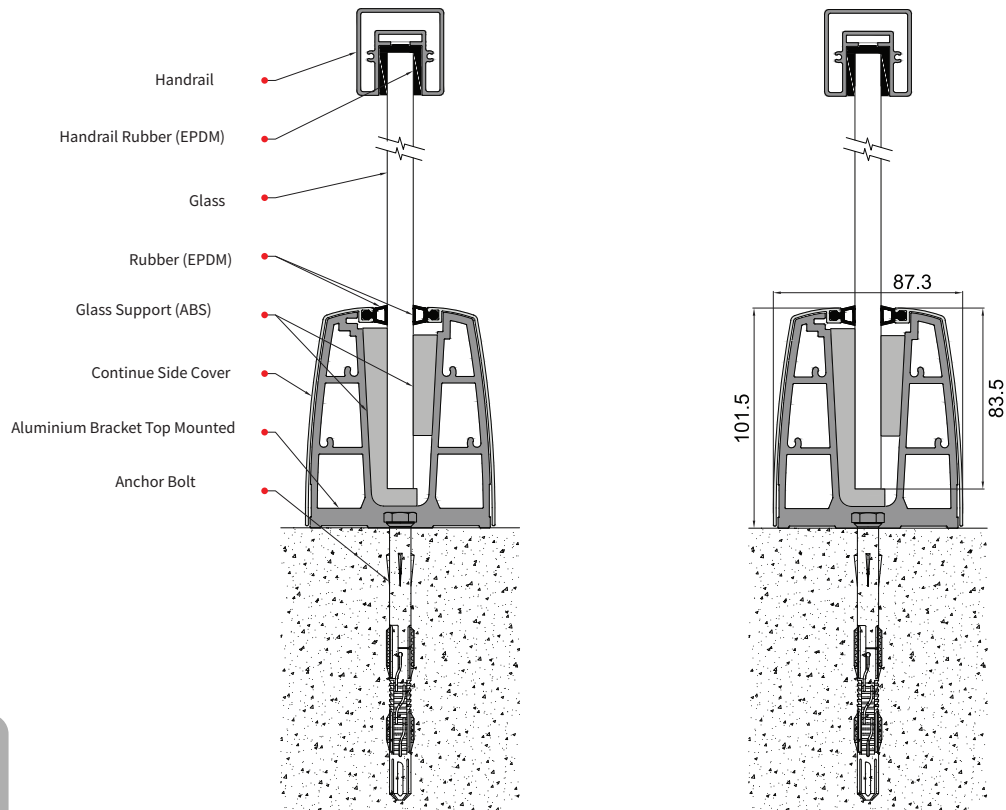


Wooden



HC 1005 B

Technical Details



Product Details

The HC-1005 B is a top-mounted aluminum bracket system designed for securely holding glass with a continuous cover configuration. It is easy installation with absolute safety.

Specifications

Glass thickness: can be used from 12mm 13.52mm,15 and 17.52mm.

Height Capacity: Supports glass heights of up to 1100mm from the floor.

Handrail Options: Offers a variety of handrail designs to suit different needs.

Finish: Available in RAL finishes, allowing for customizable aesthetics.

Available Finishes



Mill



PVDF



Anodize



Shot Blast



Powder Coating

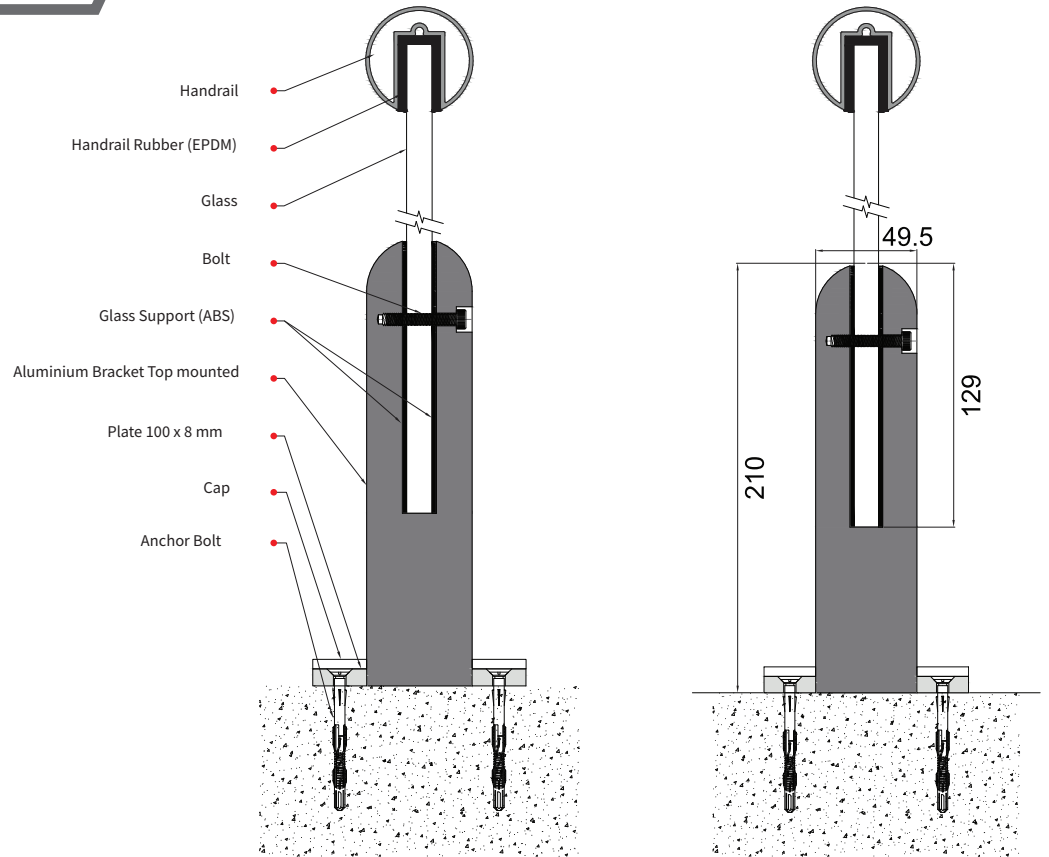


Wooden



HC 1007

Technical Details



Product Details

The HC-1007 is a top-mounted aluminum bracket system designed for securely holding glass with a continuous cover configuration. It is Stylish Look.

Specifications

Glass thickness: Glass size 12mm.

Height Capacity: Supports glass heights of up to 900mm from the floor.

Handrail Options: Offers a variety of handrail designs to suit different needs.

Finish: Available in RAL finishes, allowing for customizable aesthetics.

Available Finishes



Mill



PVDF



Anodize



Shot Blast



Powder Coating

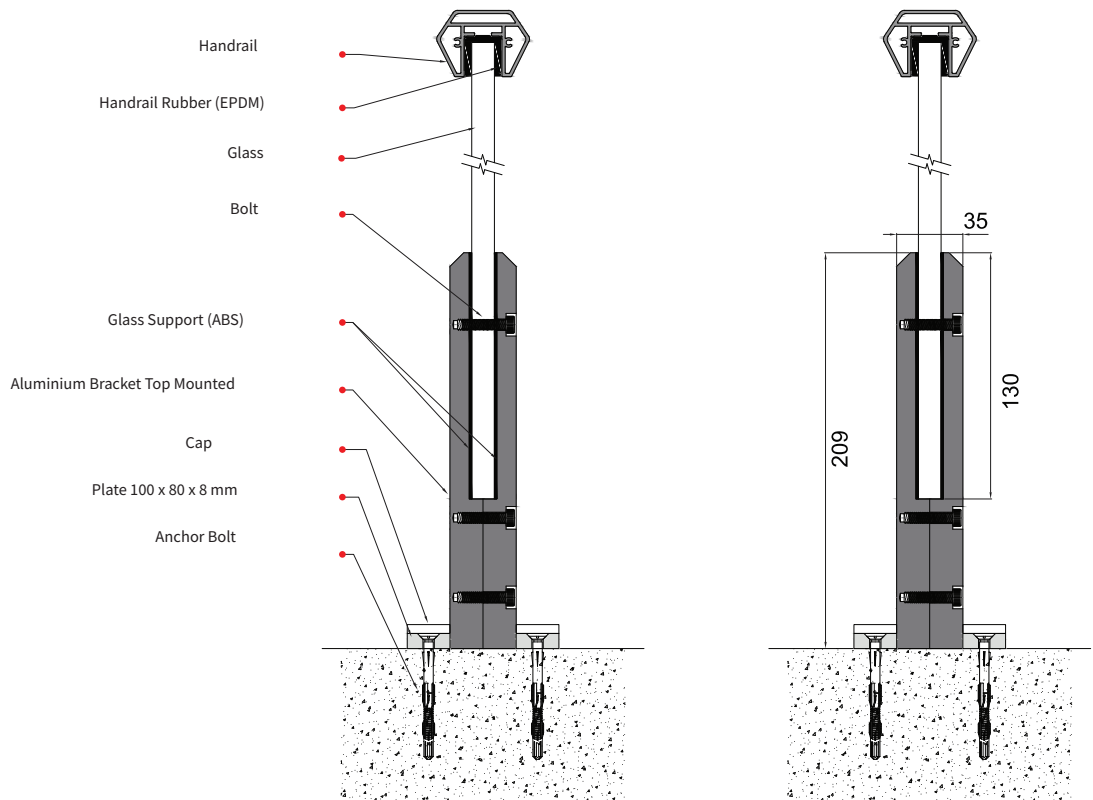


Wooden



HC 1009

Technical Details



Product Details

The HC-1009 is a top-mounted aluminum bracket system designed for securely holding glass with a continuous cover configuration. It is Design Aesthetic look and morden finish.

Specifications

Glass thickness: Glass size 12mm.

Height Capacity: Supports glass heights of up to 900mm from the floor.

Handrail Options: Offers a variety of handrail designs to suit different needs.

Finish: Available in RAL finishes, allowing for customizable aesthetics.

Available Finishes



Mill



PVDF



Anodize



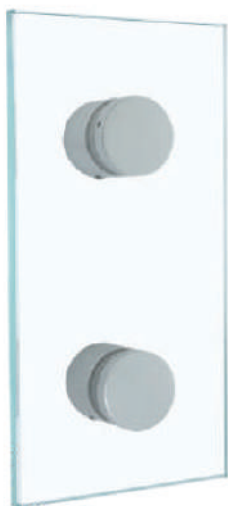
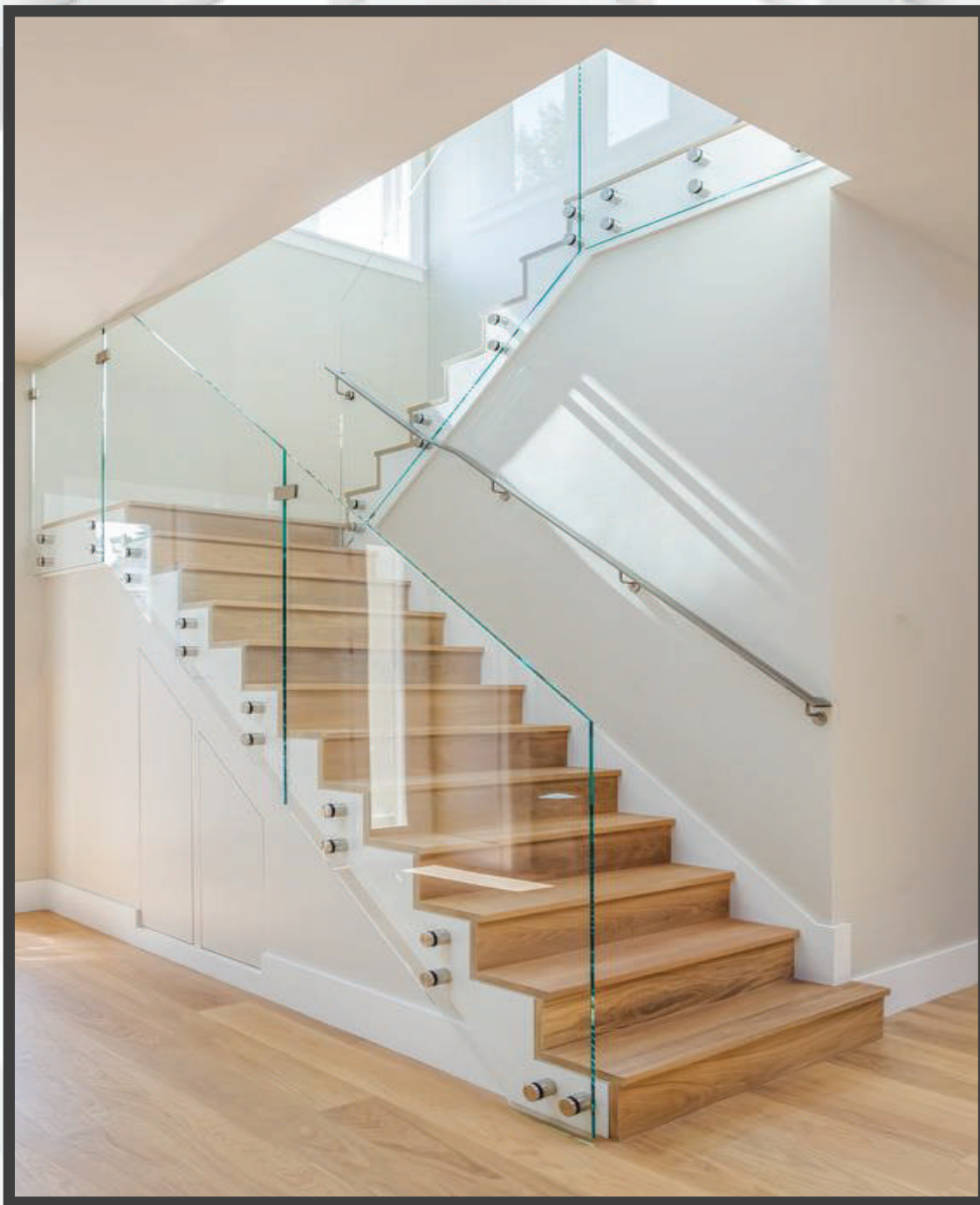
Shot Blast



Powder Coating

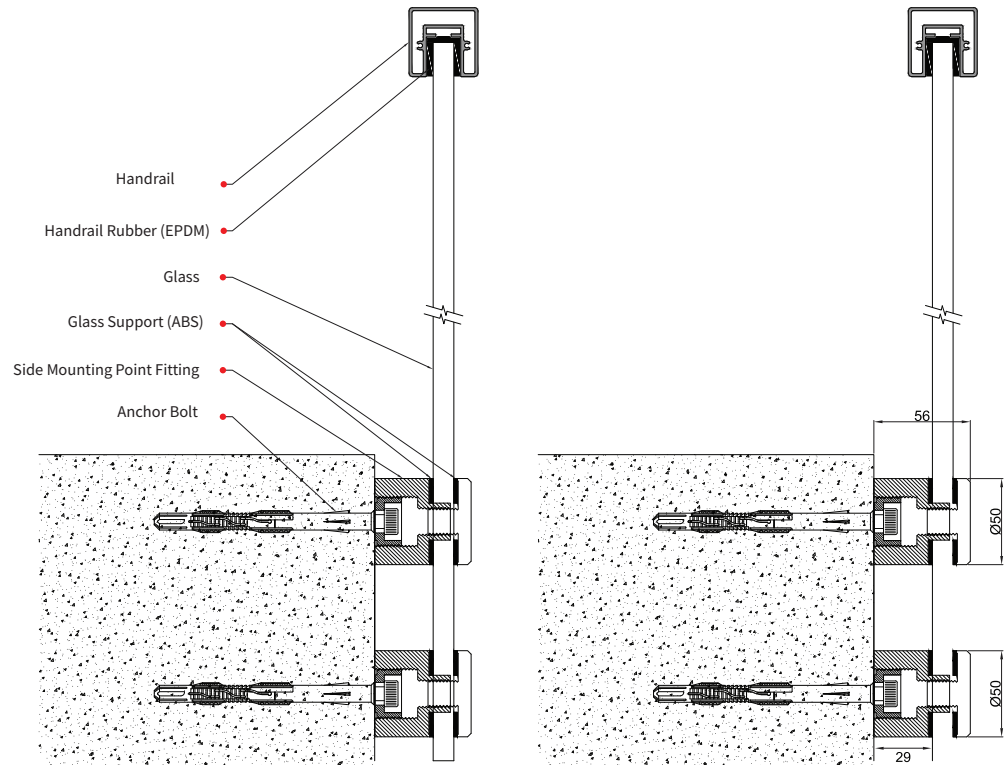


Wooden



HC 1011

Technical Details



Product Details

The HC-1011 is a side-mounted aluminum bracket system designed for securely holding glass with a continuous cover configuration. It is designed for Simple and sober view.

Specifications

Glass thickness: Compatible with glass sizes between 12mm and 13.52mm.

Height Capacity: Supports glass heights of up to 900mm from the floor.

Handrail Options: Offers a variety of handrail designs to suit different needs.

Finish: Available in RAL finishes, allowing for customizable aesthetics.

Available Finishes



Mill



PVDF



Anodize



Shot Blast



Powder Coating

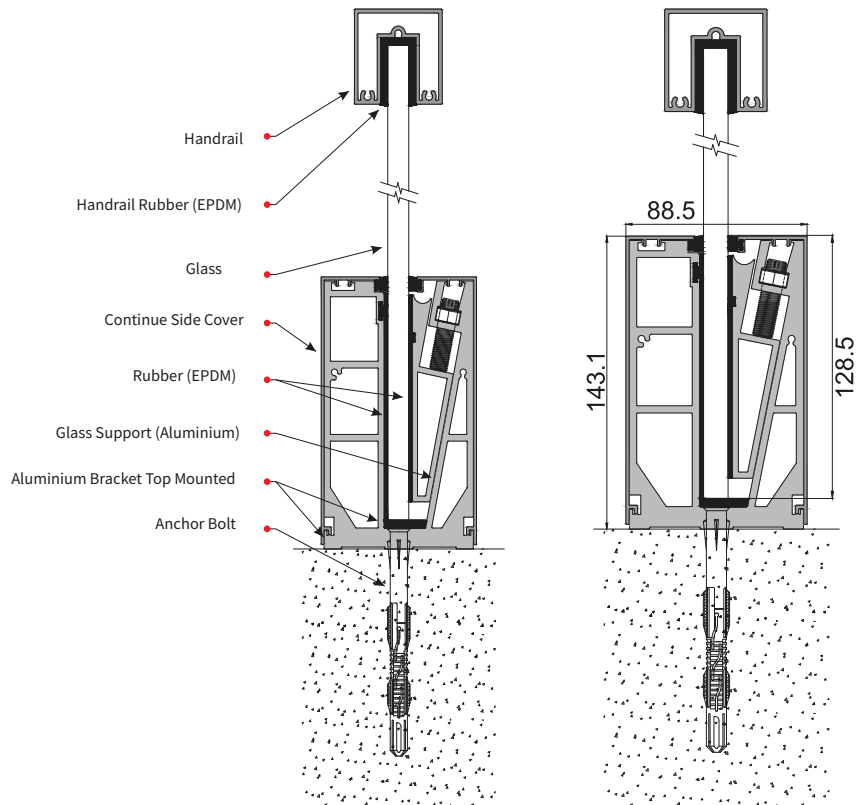


Wooden



HC 02

Technical Details



Product Details

The HC-02 is a top-mounted aluminum bracket system designed for securely holding glass with a continuous cover configuration. It is designed for Infrastructural work.

Specifications

Glass thickness: Glass Size 12,13.52,15 and 17.52mm in this system

Height Capacity: Supports glass heights of up to 1200mm from the floor.

Handrail Options: Offers a variety of handrail designs to suit different needs.

Finish: Available in RAL finishes, allowing for customizable aesthetics.

Available Finishes



Mill



PVDF



Anodize



Shot Blast



Powder Coating

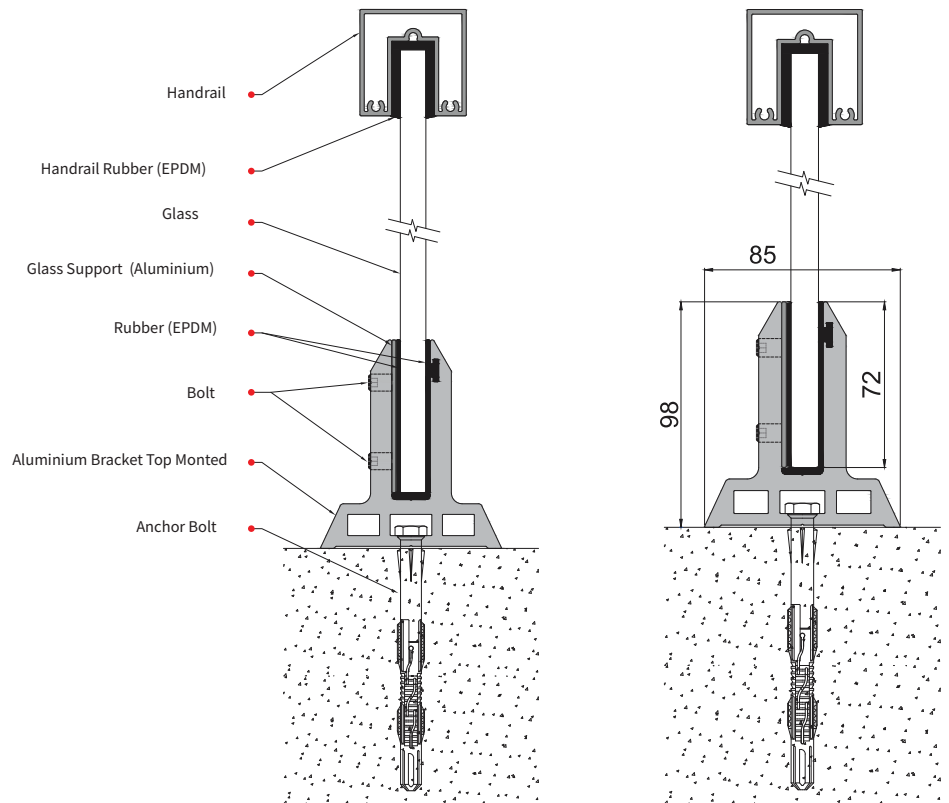


Wooden



HC 03

Technical Details



Product Details

The HC-03 is a top-mounted aluminum bracket system designed for securely holding glass with a continuous cover configuration. It is designed for Simple and sober view.

Specifications

Glass thickness: Compatible with glass sizes between 12,13.52 and 15mm.

Height Capacity: Supports glass heights of up to 1000mm from the floor.

Handrail Options: Offers a variety of handrail designs to suit different needs.

Finish: Available in RAL finishes, allowing for customizable aesthetics.

Available Finishes



Mill



PVDF



Anodize



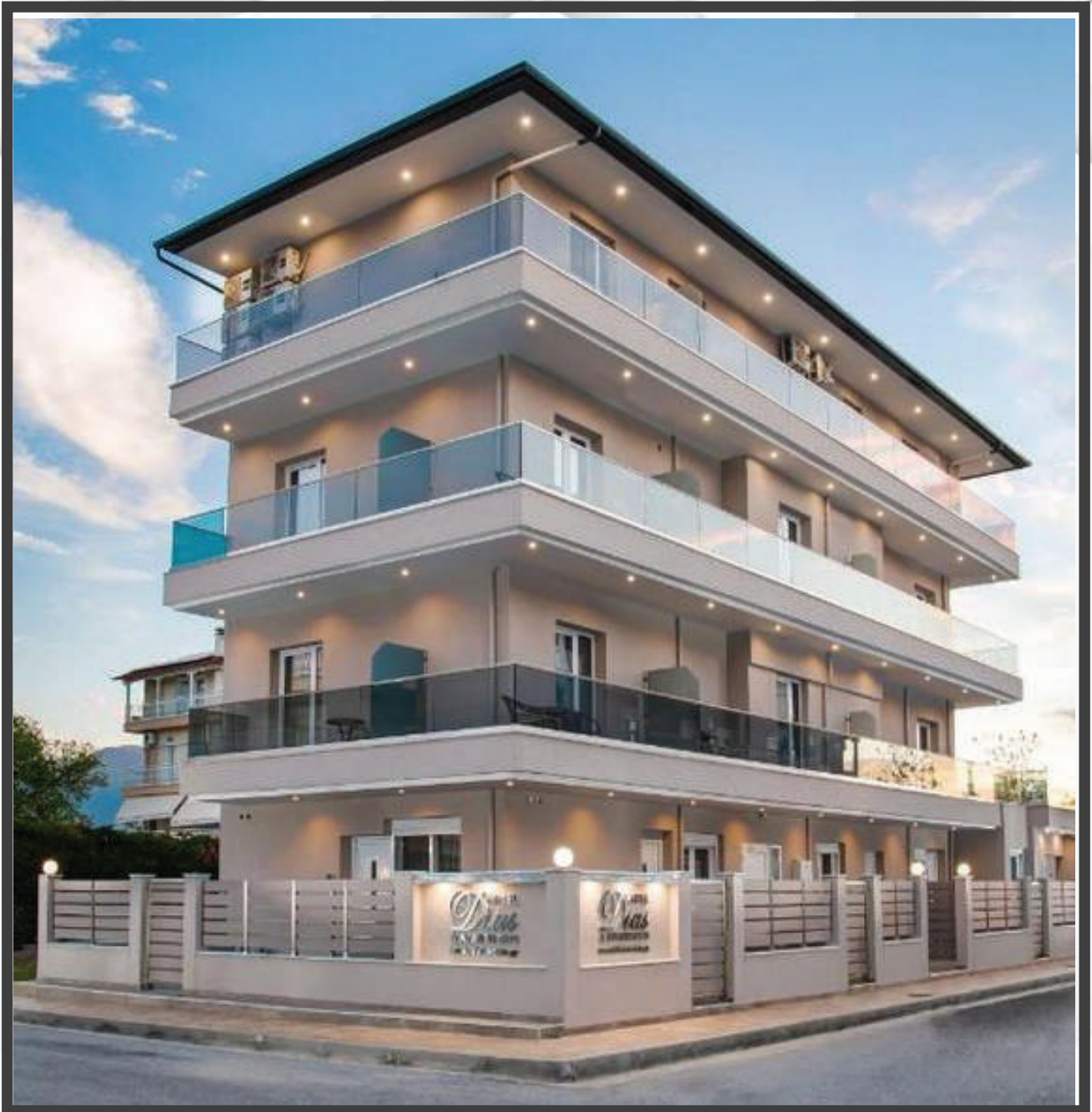
Shot Blast



Powder Coating

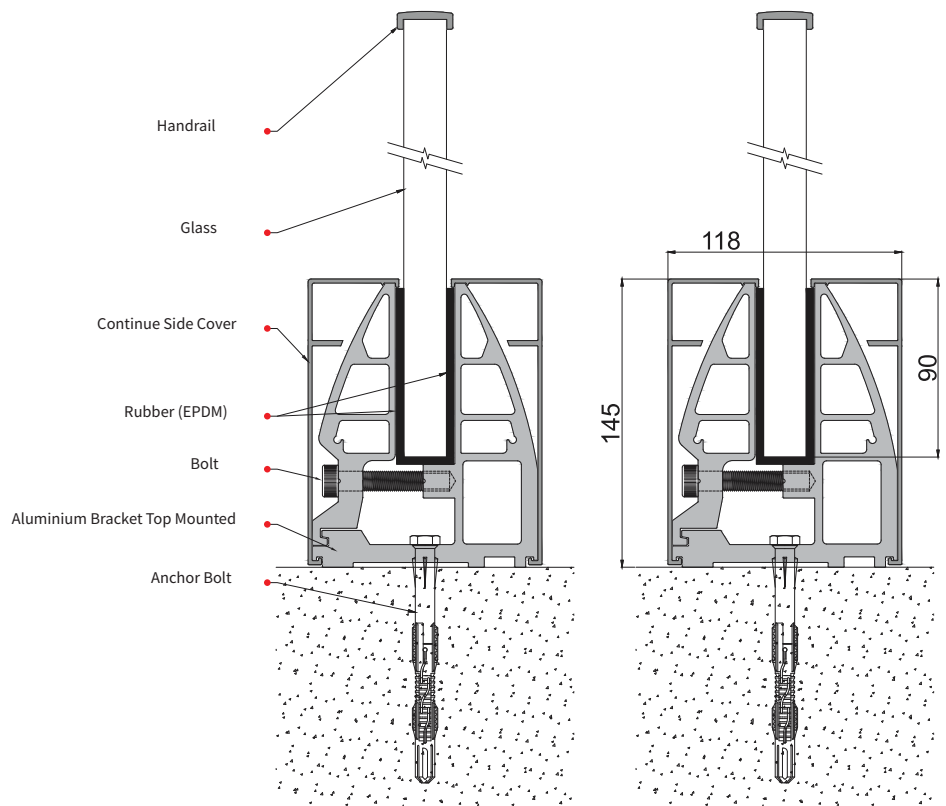


Wooden



HC 04

Technical Details



Product Details

The HC-04 is a top-mounted aluminum bracket system designed for securely holding glass with a continuous cover configuration. It is elegant design and providing marvelous look.

Specifications

Glass thickness: Glass sizes 12, 13.52, 15, 17.52, 19, 21.52, and 25.52mm.

Height Capacity: Supports glass heights of up to 1000mm from the floor.

Handrail Options: Offers a variety of handrail designs to suit different needs.

Finish: Available in RAL finishes, allowing for customizable aesthetics.

Available Finishes



Mill



PVDF



Anodize



Shot Blast



Powder Coating

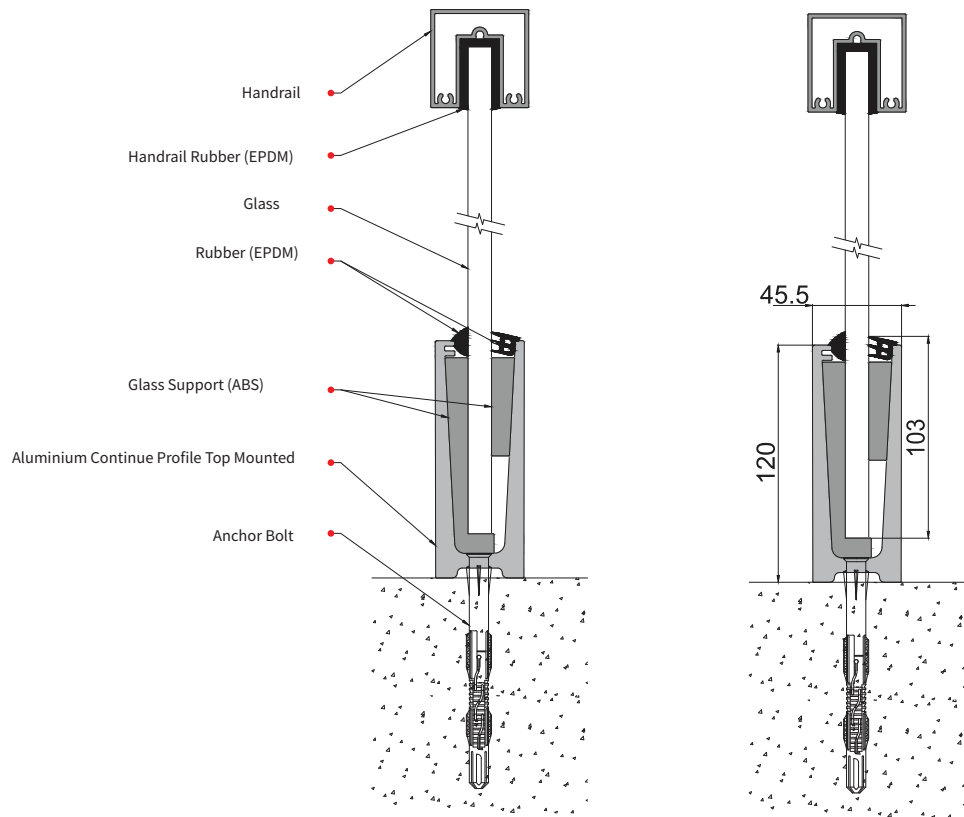


Wooden



HC 06

Technical Details



Product Details

The HC-06 is a top-mounted aluminum Continue Profile system designed for securely holding glass with a continuous cover configuration. It is elegant design and providing marvelous look.

Specifications

Glass thickness: Glass sizes 12, 13.52, 15, and 17.52mm.

Height Capacity: Supports glass heights of up to 1100mm from the floor.

Handrail Options: Offers a variety of handrail designs to suit different needs.

Finish: Available in RAL finishes, allowing for customizable aesthetics.

Available Finishes



Mill



PVDF



Anodize



Shot Blast



Powder Coating

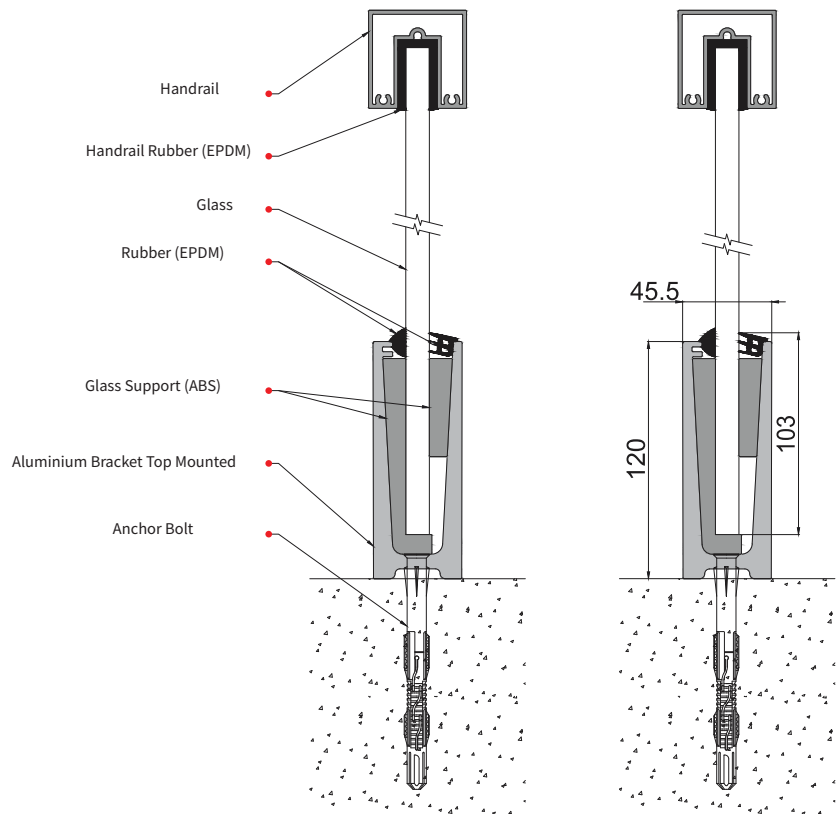


Wooden



HC 06 B

Technical Details



Product Details

The HC-06 B is a top-mounted aluminum system designed for securely holding glass with a continuous cover configuration. It is elegant and Slim Look.

Specifications

Glass thickness: Glass sizes 12, 13.52, 15, and 17.52mm.

Height Capacity: Supports glass heights of up to 1000mm from the floor.

Handrail Options: Offers a variety of handrail designs to suit different needs.

Finish: Available in RAL finishes, allowing for customizable aesthetics.

Available Finishes



Mill



PVDF



Anodize



Shot Blast



Powder Coating

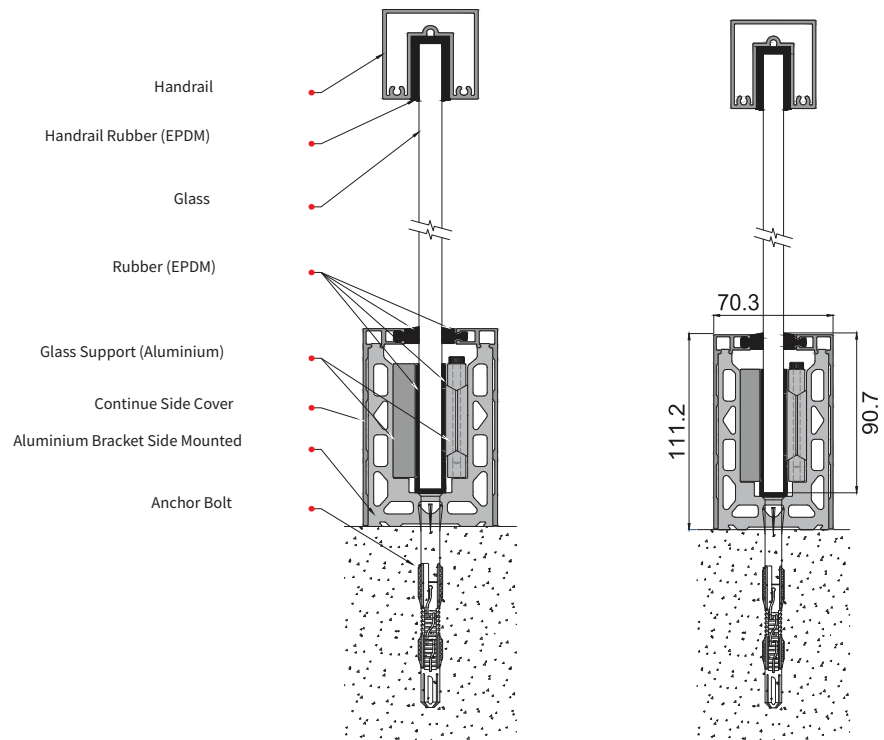


Wooden



HC 07

Technical Details



Product Details

The HC-07 is a Side-mounted aluminum bracket system designed for securely holding glass with a continuous cover configuration. It is stylish look and Desires.

Specifications

Glass thickness: Glass sizes 12, 13.52, 15, 17.52, 19 and 21.52mm.

Height Capacity: Supports glass heights of up to 1100mm from the floor.

Handrail Options: Offers a variety of handrail designs to suit different needs.

Finish: Available in RAL finishes, allowing for customizable aesthetics.

Available Finishes



Mill



PVDF



Anodize



Shot Blast



Powder Coating

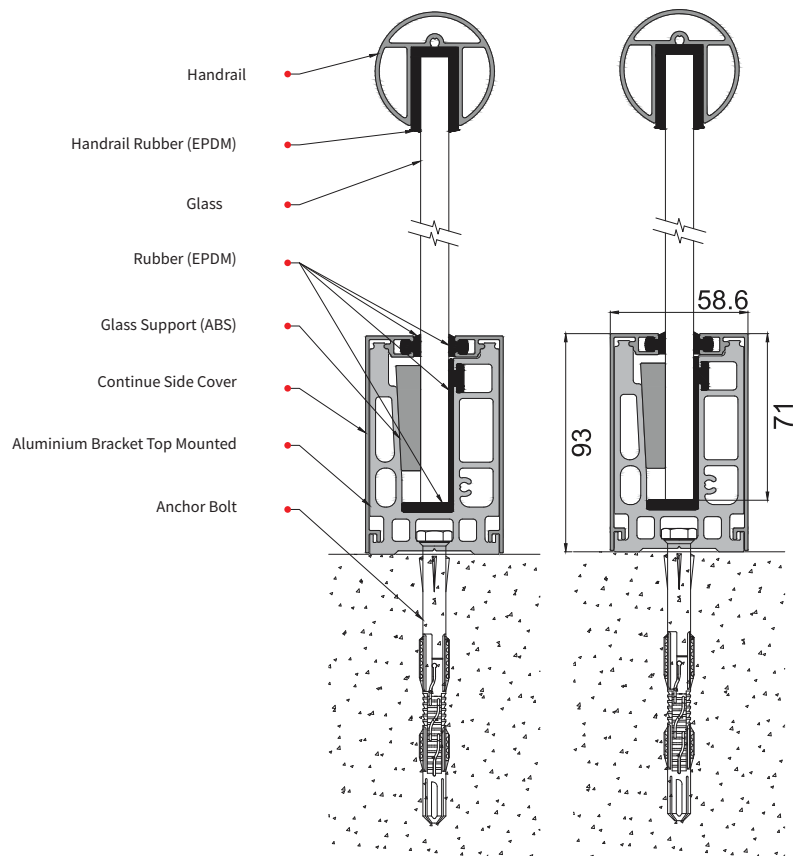


Wooden



HC 08

Technical Details



Product Details

The HC-08 is a top-mounted aluminum bracket system designed for securely holding glass with a continuous cover configuration. It is Design Exclusive Look.

Specifications

Glass thickness: Glass sizes 12, 13.52mm.

Height Capacity: Supports glass heights of up to 1000mm from the floor.

Handrail Options: Offers a variety of handrail designs to suit different needs.

Finish: Available in RAL finishes, allowing for customizable aesthetics.

Available Finishes



Mill



PVDF



Anodize



Shot Blast



Powder Coating

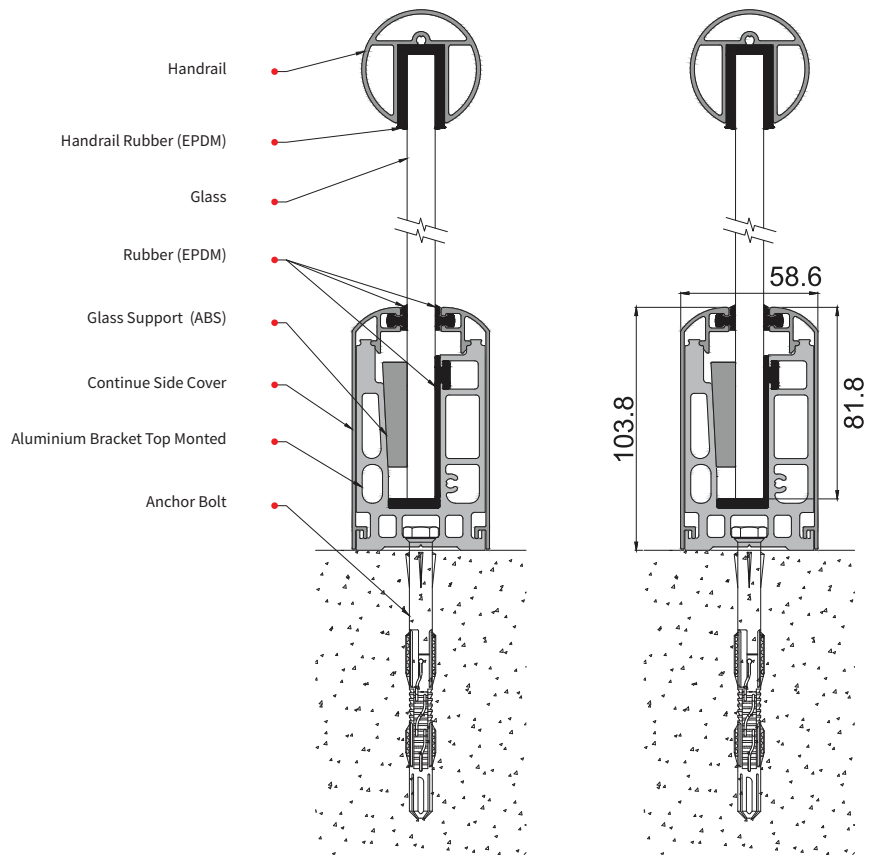


Wooden



HC 08 R

Technical Details



Product Details

The HC-08 R is a top-mounted aluminum bracket system designed for securely holding glass with a continuous cover configuration. It is designed for a Gorgeous Look.

Specifications

Glass thickness: Glass Size 12mm to 13.52mm.

Height Capacity: Supports glass heights of up to 1000mm from the floor.

Handrail Options: Offers a variety of handrail designs to suit different needs.

Finish: Available in RAL finishes, allowing for customizable aesthetics.

Available Finishes



Mill



PVDF



Anodize



Shot Blast



Powder Coating

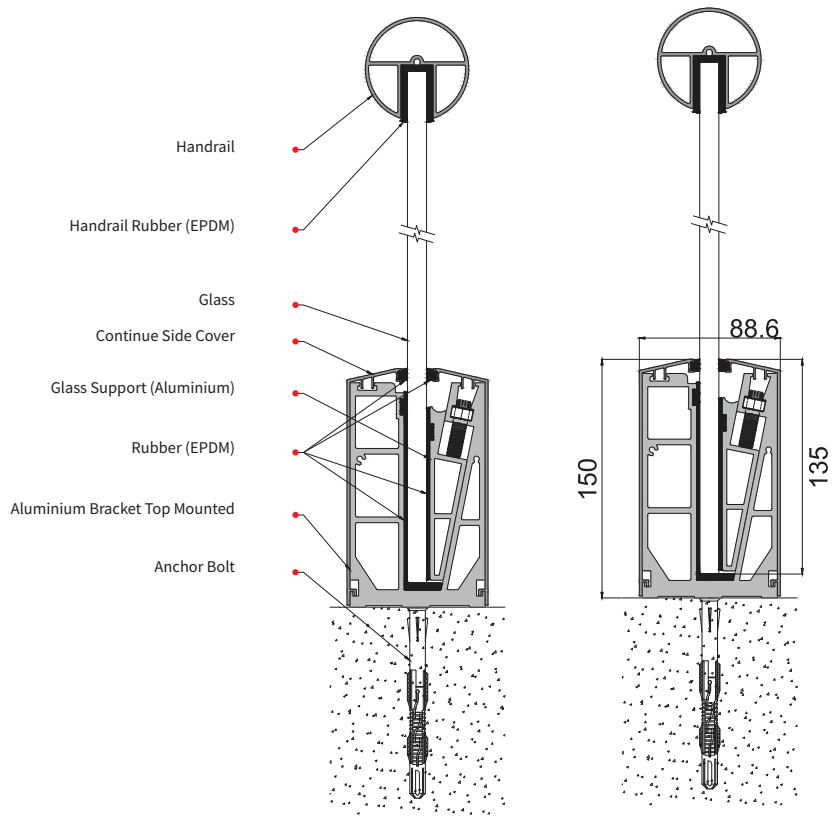


Wooden



HC 09 N

Technical Details



Product Details

The HC-09 N is a top-mounted aluminum bracket system designed for securely holding glass with a continuous cover configuration. It is designed Slant Continue cover and aesthetic look.

Specifications

Glass thickness: Glass Size 12,13.52, 15 and 17.52mm.

Height Capacity: Supports glass heights of up to 1200mm from the floor.

Handrail Options: Offers a variety of handrail designs to suit different needs.

Finish: Available in RAL finishes, allowing for customizable aesthetics.

Available Finishes



Mill



PVDF



Anodize



Shot Blast



Powder Coating

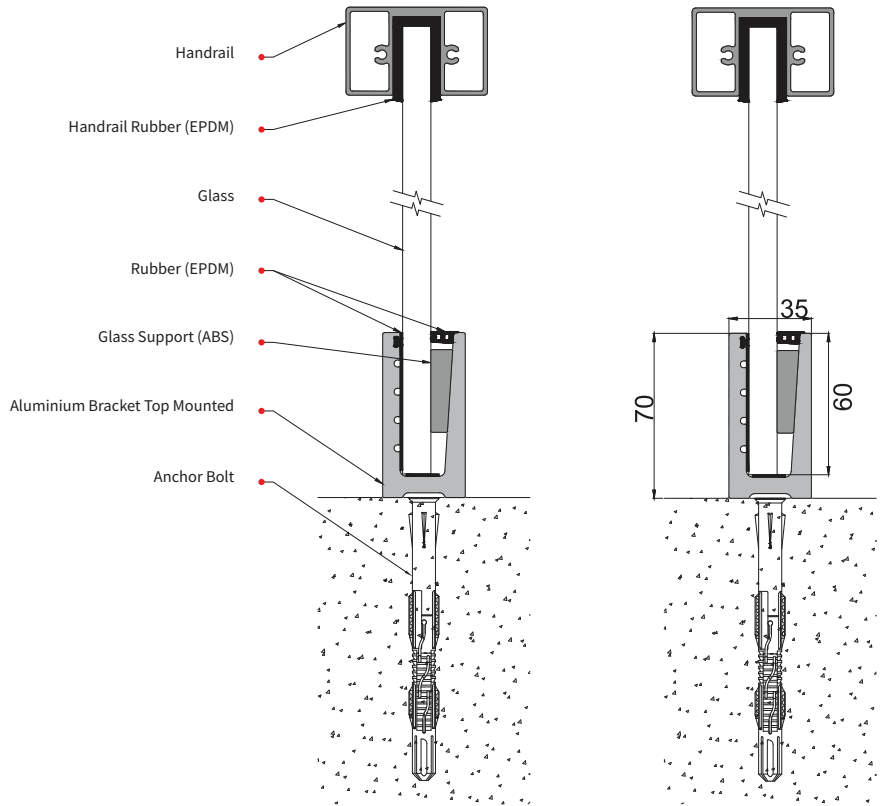


Wooden



HC 10 B

Technical Details



Product Details

The HC-10 B is a top-mounted aluminum bracket system designed for securely holding glass with a continuous cover configuration. It is designed Innovative style & Aesthetic View.

Specifications

Glass thickness: Glass Size 12mm to 13.5mm.

Height Capacity: Supports glass heights of up to 900mm from the floor.

Handrail Options: Offers a variety of handrail designs to suit different needs.

Finish: Available in RAL finishes, allowing for customizable aesthetics.

Available Finishes



Mill



PVDF



Anodize



Shot Blast



Powder Coating

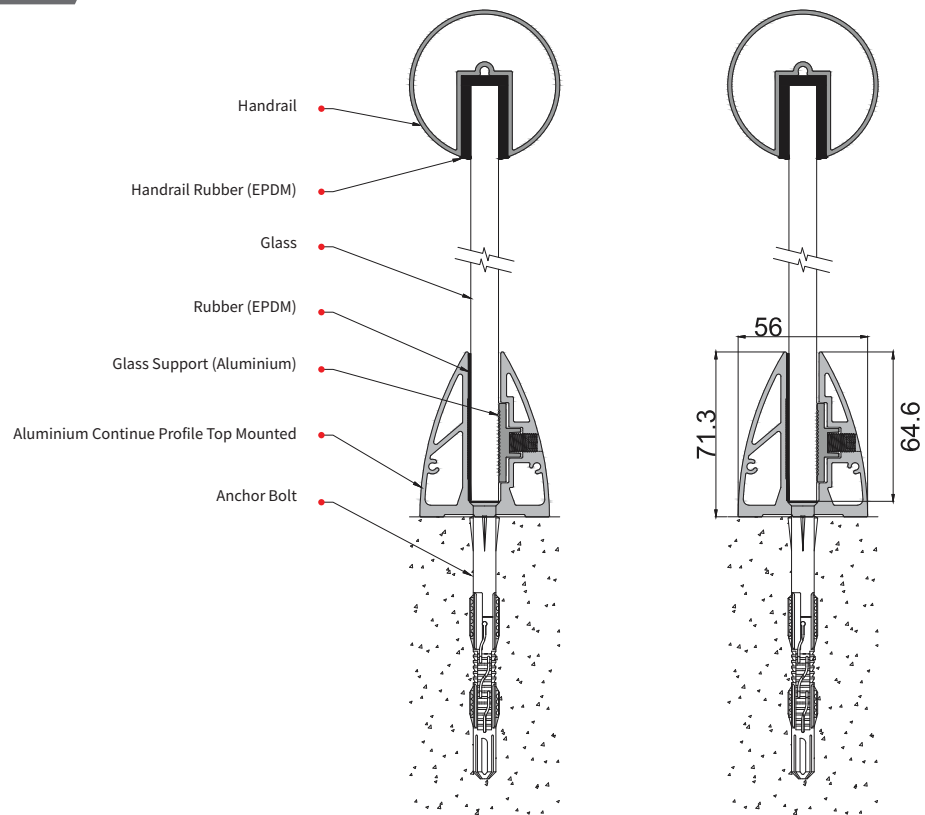


Wooden



HC 11

Technical Details



Product Details

The HC-11 is a top-mounted aluminum Continue Profile system designed for securely holding glass with a continuous cover configuration. It is Providing Simple & Sober View..

Specifications

Glass thickness: Glass Size 12mm.

Height Capacity: Supports glass heights of up to 900mm from the floor.

Handrail Options: Offers a variety of handrail designs to suit different needs.

Finish: Available in RAL finishes, allowing for customizable aesthetics.

Available Finishes



Mill



PVDF



Anodize



Shot Blast



Powder Coating

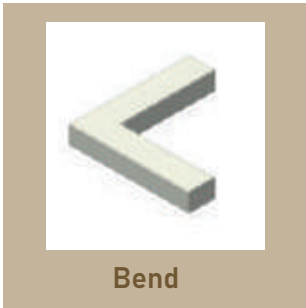
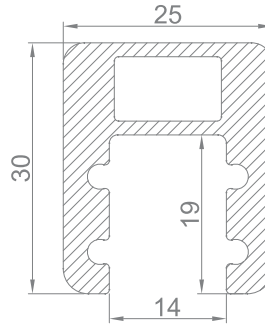


Wooden

Accessories

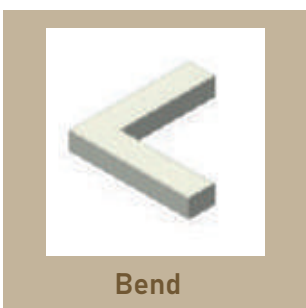
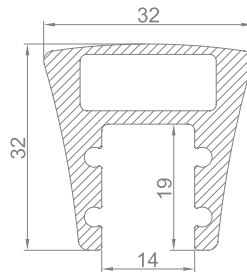
Handrail (25x30mm)

(Glass Thickness can be use 12mm for this Handrail)



Handrail (32x32mm)

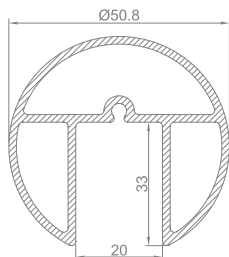
(Glass Thickness can be use 12mm for this Handrail)



Accessories

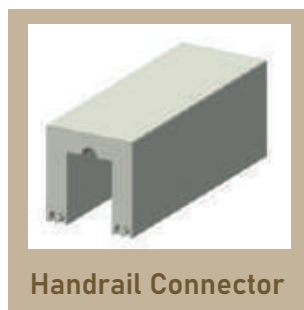
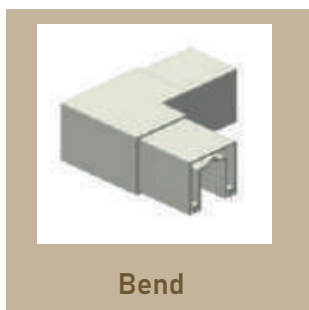
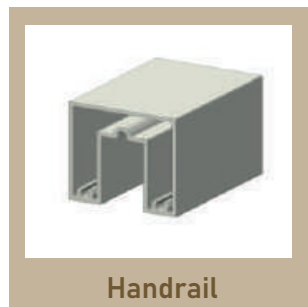
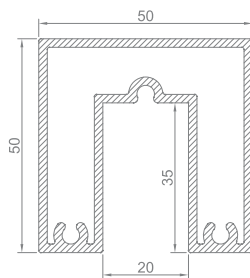
Round Handrail (50mm)

(Glass Thickness can be use 12,13.52,15and 17.52mm for this Handrail)



Square Handrail (50x50mm)

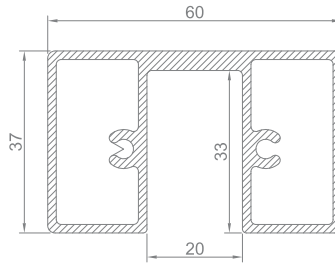
(Glass Thickness can be use 12,13.52 15and 17.52mm for this Handrail)



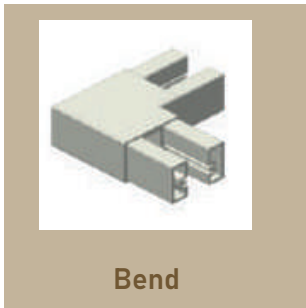
Accessories

Rectangle Handrail (68x38mm)

(Glass Thickness can be use
12,13.52,15and 17.52mm for
this Handrail)



Handrail



Bend



Wall Conceal



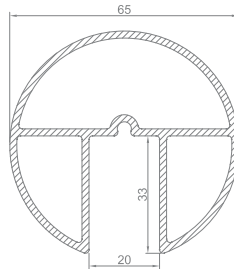
Handrail Connector



End Cap

Round Handrail (65mm)

(Glass Thickness can be use 12,13.52
15and 17.52mm for this Handrail)



Handrail



Bend



Wall Conceal



Handrail Connector

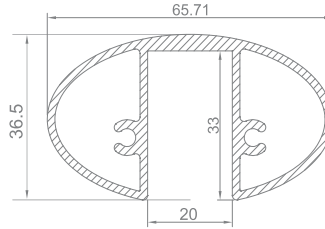


End Cap

Accessories

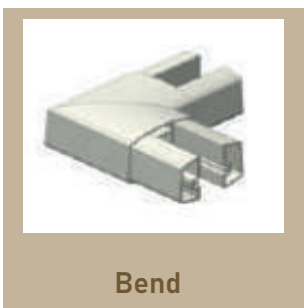
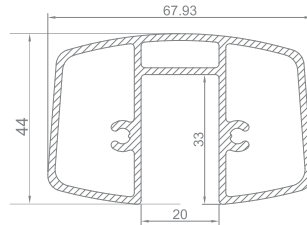
Oval Handrail (65x36mm)

(Glass Thickness can be use 12,13.52 15and 17.52mm for this Handrail)



Oval Handrail (70x45mm)

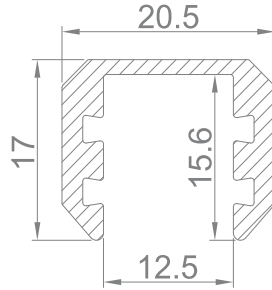
(Glass Thickness can be use 12,13.52 15and 17.52mm for this Handrail)



Accessories

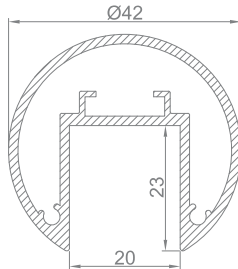
Handrail (20x17mm)

(Glass Thickness can be use 12mm for this Handrail)



Round Handrail (42mm)

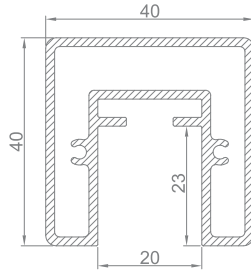
(Glass Thickness can be use 12,13.52 15and 17.52mm for this Handrail)



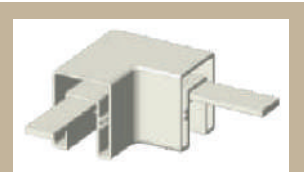
Accessories

Handrail (40x40mm)

(Glass Thickness can be use 12,13.52,15and 17.52mm for this Handrail)



Handrail



Bend



Wall Conceal



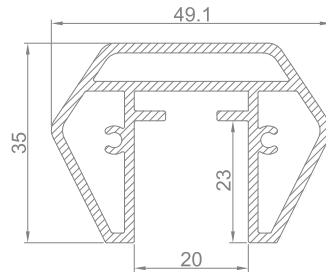
Handrail Connector



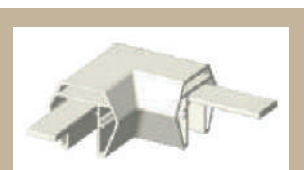
End Cap

Handrail (50x35mm)

(Glass Thickness can be use 12,13.52 15and 17.52mm for this Handrail)



Handrail



Bend



Wall Conceal

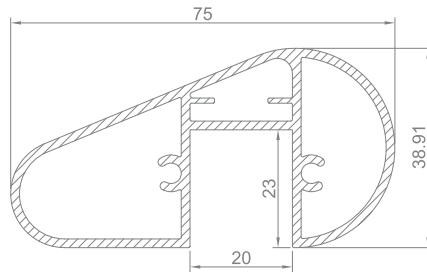


Handrail Connector

Accessories

Handrail (75x40mm)

(Glass Thickness can be use 12,13.52,15and 17.52mm for this Handrail)



Handrail



Bend



Wall Conceal



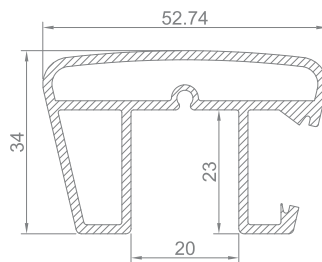
Handrail Connector



End Cap

Handrail (55x35mm)

(Glass Thickness can be use 12,13.52 15and 17.52mm for this Handrail)



Handrail



Bend



Wall Conceal



Handrail Connector



End Cap

Accessories End Cup



RA-1001 EC



RA-1002 EC



RA-1004 S EC



RA-1005 EC



RA-02 EC



SRA-04 EC



RA-04 S EC



RA-06 EC



RA-07 EC



RA-07 CN EC



RA-07 S EC



RA-08 EC



RA-08 R EC



RA-09 N EC



RA-10 EC



RA-11 EC



RA-12 EC



42mm, 50mm
Round Rotate Bend



40x40mm
Square Rotate Bend

Thank You

for taking the time to explore our catalogue. We hope You've found inspiration and valuable information within these pages.

If you have any questions or need further assistance, please don't hesitate to reach out to us. We're here to help and would be delighted to assist you in any way we can.

We look forward to serving you and hope to continue Providing you with excellent products and services.

Follow us on



+91 9899720099
+91 9310599502



info@Homcollective.in



C-82/B First Floor Sector-8
Noida (201301)